

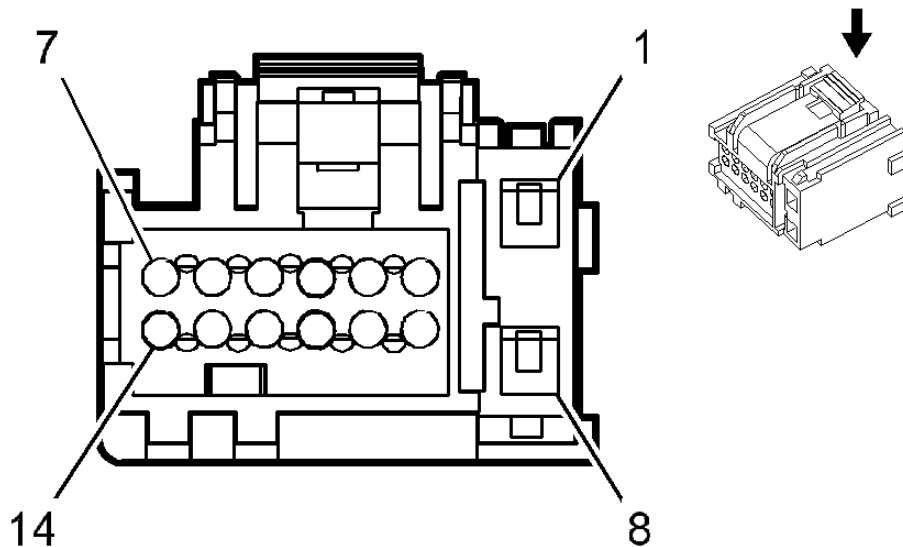
RADIO X1 (UQ3)

Fig. 197: Radio X1 (UQ3) Connector End View
 Courtesy of GENERAL MOTORS CORP.

Connector Part Information

- OEM: 15488568
- Service: 88988743
- Description: 14-Way F GT 150 Series/Micro-Pack 64 Modular (BK)

Terminal Part Information

- Pins: 1, 8
- Terminal/Tray: 12191812/19
- Core/Insulation Crimp: C/A
- Release Tool/Test Probe: 15315247/J-35616-2A (GY)
- Pins: 2, 4-7, 9, 11
- Terminal/Tray: 15359541/4
- Core/Insulation Crimp: M/M

2008 Chevrolet HHR LT

2008 ELECTRICAL Wiring Systems and Power Management - HHR

- Release Tool/Test Probe: 15381651-2/J-35616-64B (L-BU)

Radio X1 (UQ3)

| Pin | Wire | Circuit | Function |
|------------|--------------|----------------|---|
| 1 | 0.35 RD/WH | 1140 | Battery Positive Voltage |
| 2 | 0.35 GY | 8 | Instrument Panel Lamps Dimmer Switch Signal |
| 3 | - | - | Not Used |
| 4 | 0.35 L-GN | 1948 | Right Front Low Level Audio Signal (-) |
| 5 | 0.35 L-GN/WH | 512 | Right Front Low Level Audio Signal (+) |
| 6 | 0.35 D-GN | 1947 | Left Front Low Level Audio (-) |
| 7 | 0.35 TN | 511 | Left Front Low Level Audio Signal (+) |
| 8 | 0.35 BK/WH | 651 | Ground |
| 9 | 0.35 D-GN/WH | 5060 | Low Speed GMLAN Serial Data |
| 10 | - | - | Not Used |
| 11 | 0.35 D-BU | 1796 | Steering Wheel Control Signal (UK3) |
| 12-14 | - | - | Not Used |

RADIO X1 (UW5)

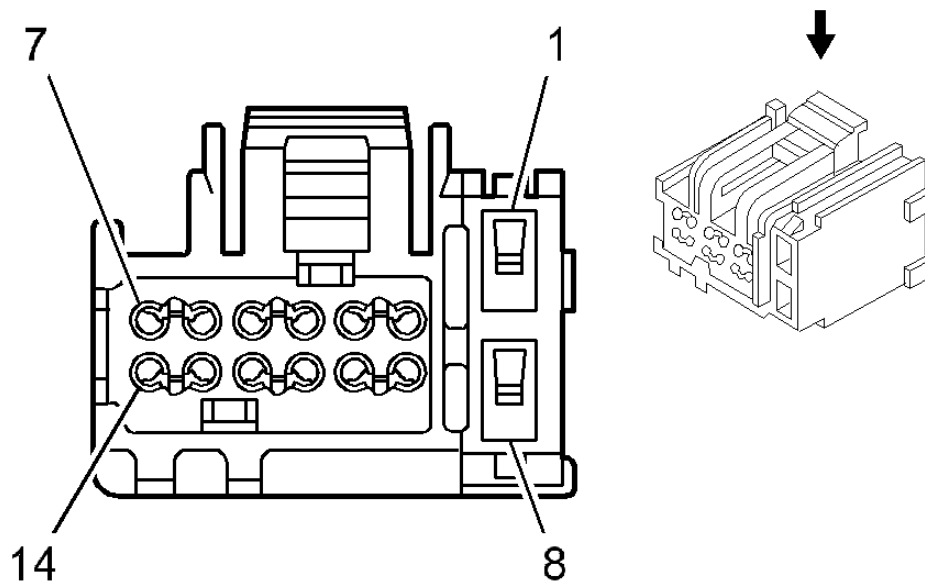


Fig. 198: Radio X1 (UW5) Connector End View
 Courtesy of GENERAL MOTORS CORP.

Connector Part Information

- OEM: 15488568
- Service: 88988743
- Description: 14-Way F GT 150 Series/Micro-Pack 64 Modular (BK)

Terminal Part Information

- Pins: 1, 8
- Terminal/Tray: 12191812/19
- Core/Insulation Crimp: C/A
- Release Tool/Test Probe: 15315247/J-35616-2A (GY)
- Pins: 2, 4-7, 9, 11
- Terminal/Tray: 15359541/4
- Core/Insulation Crimp: M/M
- Release Tool/Test Probe: 15381651-2/J-35616-64B (L-BU)

2008 Chevrolet HHR LT

2008 ELECTRICAL Wiring Systems and Power Management - HHR

Radio X1 (UW5)

| Pin | Wire | Circuit | Function |
|-------|--------------|---------|--|
| 1 | 0.35 RD/WH | 1140 | Battery Positive Voltage |
| 2 | 0.35 GY | 8 | Instrument Panel Lamp Dimmer Switch Signal |
| 3 | - | - | Not Used |
| 4 | 0.35 D-GN | 117 | Right Front Speaker Output (-) |
| 5 | 0.35 L-GN | 200 | Right Front Speaker Output (+) |
| 6 | 0.35 GY | 118 | Left Front Speaker Output (-) |
| 7 | 0.35 TN | 201 | Left Front Speaker Output (+) |
| 8 | 0.35 BK/WH | 651 | Ground |
| 9 | 0.35 D-GN/WH | 5060 | Low Speed GMLAN Serial Data |
| 10 | - | - | Not Used |
| 11 | 0.35 D-BU | 1796 | Steering Wheel Control Signal (UK3) |
| 12-14 | - | - | Not Used |

RADIO X2 (UQ3)

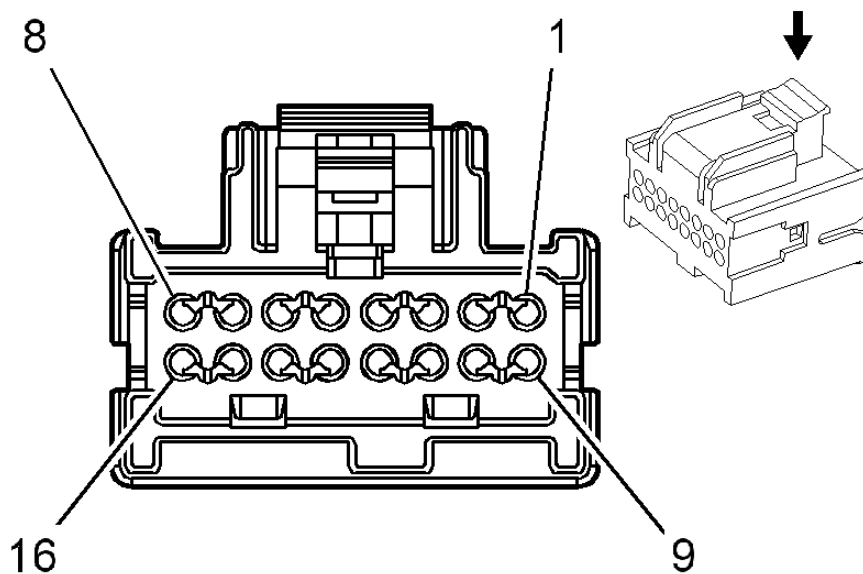


Fig. 199: Radio X2 (UQ3) Connector End View
 Courtesy of GENERAL MOTORS CORP.

Connector Part Information

- OEM: 15416970
- Service: 15394150
- Description: 16-Way F Micro-Pack 64 Modular (BK)

Terminal Part Information

- Terminal/Tray: 15359541/4
- Core/Insulation Crimp: M/M
- Release Tool/Test Probe: 15381651-2/J-35616-64B (L-BU)

Radio X2 (UQ3)

| Pin | Wire | Circuit | Function |
|-------|--------------|---------|---------------------------------------|
| 1 | 0.35 BN/WH | 367 | Left Audio Signal (+) (U2K) |
| 2 | 0.35 D-GN/WH | 368 | Right Audio Signal (+) (U2K) |
| 3 | 0.35 PK | 314 | Radio On Signal |
| 4 | 0.35 D-BU | 546 | Right Rear Low Level Audio Signal (+) |
| 5 | 0.35 TN | 1946 | Right Rear Low Level Audio Signal (-) |
| 6 | 0.35 BN/WH | 599 | Left Rear Low Level Audio Signal (+) |
| 7 | 0.35 BN | 1999 | Left Rear Low Level Audio Signal (-) |
| 8 | 0.35 PK/BK | 2062 | Cellular Telephone Voice Signal (UE1) |
| 9 | 0.35 TN/WH | 372 | Audio Common (U2K) |
| 10-13 | - | - | Not Used |
| 14 | 0.35 WH/BK | 644 | 10-Volt Reference (UK3) |
| 15 | 0.35 L-GN | 1011 | Remote Radio Control Signal |
| | | | Cellular Telephone Voice Low |

| | | | |
|----|------------|------|-----------------|
| 16 | 0.35 OG/BK | 2061 | Reference (UE1) |
|----|------------|------|-----------------|

RADIO X2 (UW5)

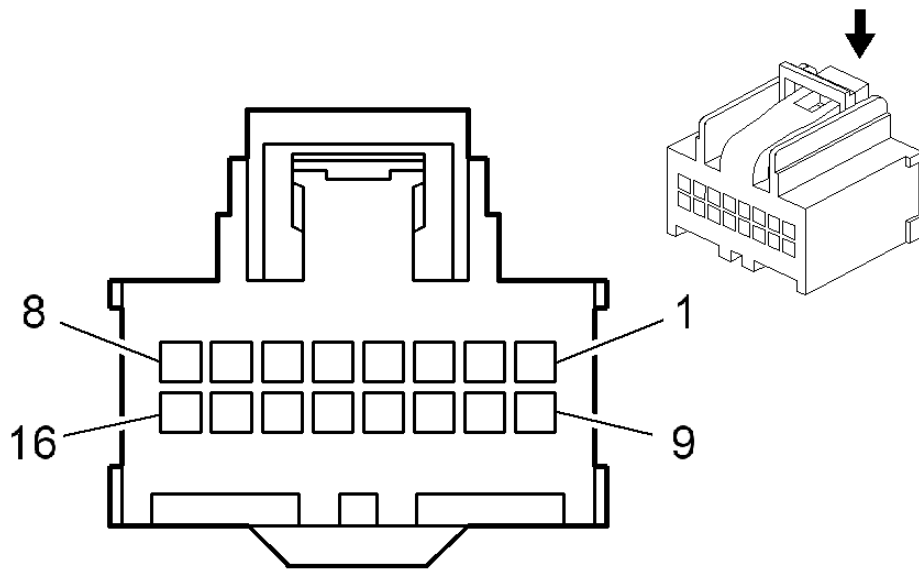


Fig. 200: Radio X2 (UW5) Connector End View
 Courtesy of GENERAL MOTORS CORP.

Connector Part Information

- OEM: 7283-9076-30
- Service: 15394150
- Description: 16-Way F Micro-Pack 64 Modular (BK)

Terminal Part Information

- Terminal/Tray: See Terminal Repair Kit
- Core/Insulation Crimp: See Terminal Repair Kit
- Release Tool/Test Probe: See Terminal Repair Kit

Radio X2 (UW5)

| Pin | Wire | Circuit | Function |
|-----|------|---------|----------|
| | | | |

2008 Chevrolet HHR LT

2008 ELECTRICAL Wiring Systems and Power Management - HHR

| | | | |
|-------|--------------|------|--|
| 1 | 0.35 BN/WH | 367 | Remote Radio Left Audio Signal (+) (U2K) |
| 2 | 0.35 D-GN/WH | 368 | Remote Radio Right Audio Signal (+) (U2K) |
| 3 | 0.35 PK | 314 | Radio On Signal |
| 4 | 0.35 D-BU | 46 | Right Rear Speaker Output (+) |
| 5 | 0.35 L-BU | 115 | Right Rear Speaker Output (-) |
| 6 | 0.35 BN | 199 | Left Rear Speaker Output (+) |
| 7 | 0.35 YE | 116 | Left Rear Speaker Output (-) |
| 8 | 0.35 PK/BK | 2062 | Cellular Telephone Voice Signal (UE1) |
| 9 | 0.35 TN/WH | 372 | Audio Common (U2K) |
| 10-13 | - | - | Not Used |
| 14 | 0.35 WH/BK | 644 | 10-Volt Reference (UK3) |
| 15 | - | - | Not Used |
| 16 | 0.35 OG/BK | 2061 | Cellular Telephone Voice Low Reference (UE1) |