

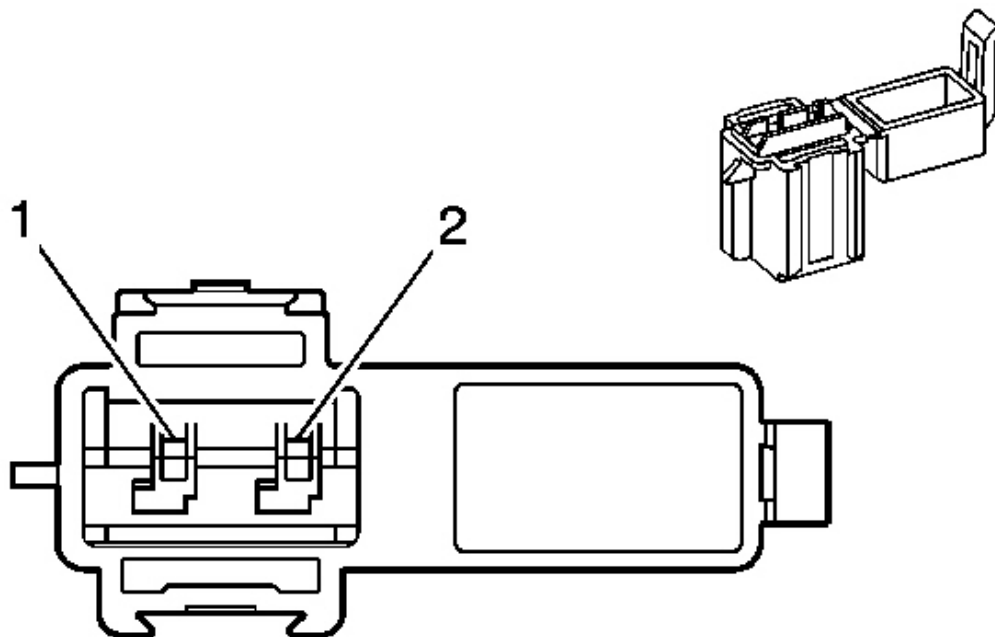
VCIM FUSE HOLDER - 10 AMP (UE1)

Fig. 247: VCIM Fuse Holder - 10 AMP Connector End View
Courtesy of GENERAL MOTORS CORP.

Connector Part Information

- OEM: E-5972-001
- Service: 19115609
- Description: 2-Way F (BK)

Terminal Part Information

- Terminal/Tray: See Terminal Repair Kit
- Core/Insulation Crimp: See Terminal Repair Kit
- Release Tool/Test Probe: See Terminal Repair Kit

VCIM Fuse Holder - 10 AMP (UE1)

Pin	Wire	Circuit	Function
1	0.35 RD/BK	142	Battery Positive Voltage
2	0.35 RD/WH	1740	Battery Positive Voltage

VEHICLE COMMUNICATION INTERFACE MODULE (VCIM) X1 (UE1)

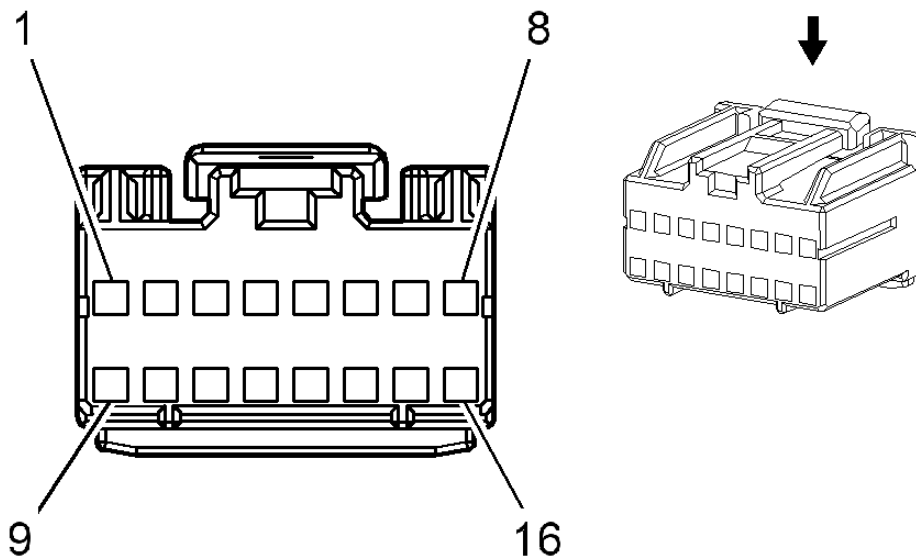


Fig. 248: Vehicle Communication Interface Module X1 Connector End View
 Courtesy of GENERAL MOTORS CORP.

Connector Part Information

- OEM: 15431362
- Service: 15306351
- Description: 16-Way F Micro 100A (NA)

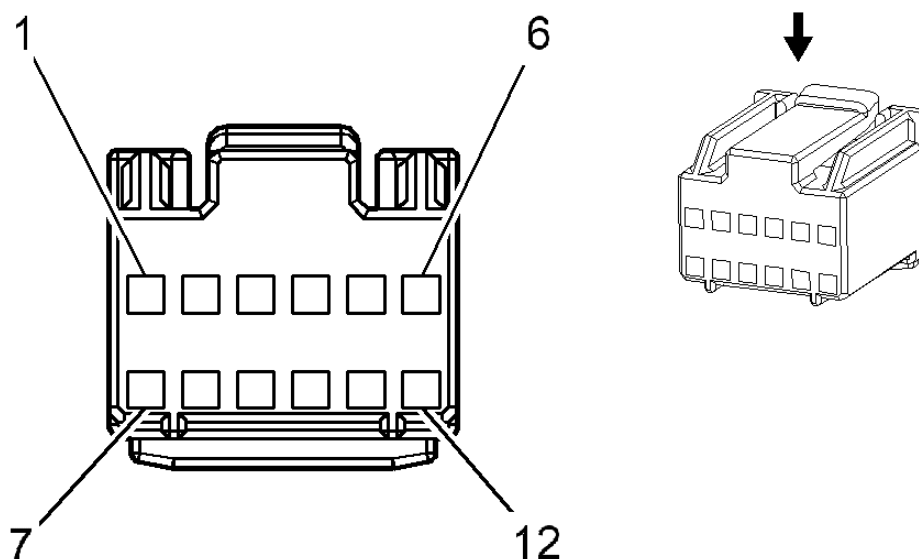
Terminal Part Information

- Terminal/Tray: 15355438/20
- Core/Insulation Crimp: E/C
- Release Tool/Test Probe: 15315247/J-35616-12 (BU)

Vehicle Communication Interface Module (VCIM) X1 (UE1)

Pin	Wire	Circuit	Function
1	-	-	Not Used
2	0.35 BN/WH	2517	Keypad Red LED Signal
3	0.35 YE/BK	2516	Keypad Green LED Signal
4-5	-	-	Not Used
6	0.35 L-GN/BK	2515	Keypad Supply Voltage
7	-	-	Not Used
8	0.35 BK/WH	851	Ground
9-10	-	-	Not Used
11	0.35 D-GN/WH	2514	Keypad Signal
12-14	-	-	Not Used
15	0.35 RD/WH	1340	Battery Positive Voltage
16	-	-	Not Used

VEHICLE COMMUNICATION INTERFACE MODULE (VCIM) X2 (UE1)



**Fig. 249: Vehicle Communication Interface Module X2 Connector End View
Courtesy of GENERAL MOTORS CORP.**

Connector Part Information

- OEM: 15431365
- Service: 88952886
- Description: 12-Way F Micro 100A (WH)

Terminal Part Information

- Terminal/Tray: 15355438/20
- Core/Insulation Crimp: E/C
- Release Tool/Test Probe: 15315247/J-35616-12 (BU)

Vehicle Communication Interface Module (VCIM) X2 (UE1)

Pin	Wire	Circuit	Function
1	0.35 PK/BK	2062	Cellular Telephone Voice Signal
2	0.35 OG/BK	2061	Cellular Telephone Voice Signal Low Reference
3-7	-	-	Not Used
8	0.35 BN	813	Drain Wire
9	0.35 GY	655	Cellular Microphone Signal
10	0.35 BN	1489	Drain Wire
11-12	-	-	Not Used

VEHICLE COMMUNICATION INTERFACE MODULE (VCIM) X3 (UE1)

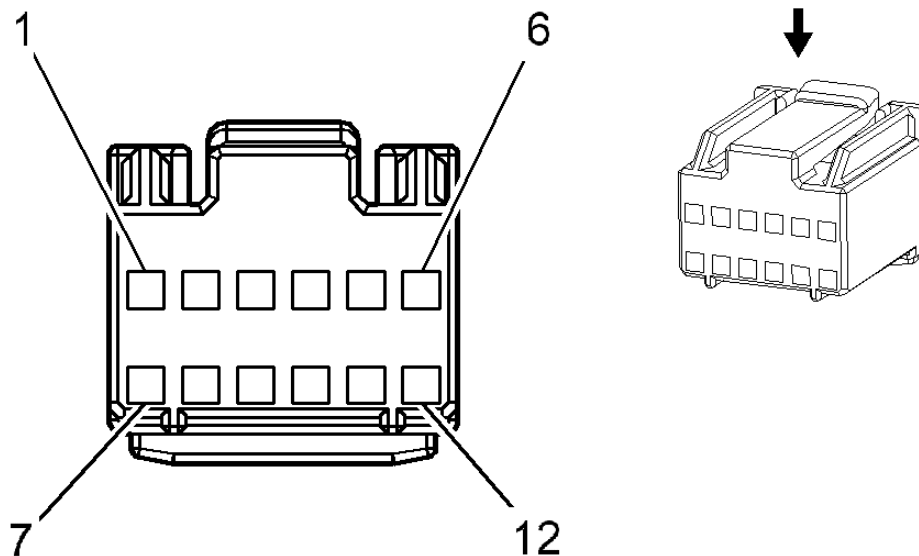


Fig. 250: Vehicle Communication Interface Module X3 Connector End View
 Courtesy of GENERAL MOTORS CORP.

Connector Part Information

- OEM: 15431368
- Service: 88988545
- Description: 12-Way F Micro 100A (BK)

Terminal Part Information

- Terminal/Tray: 15355438/20
- Core/Insulation Crimp: E/C
- Release Tool/Test Probe: 15315247/J-35616-12 (BU)

Vehicle Communication Interface Module (VCIM) X3 (UE1)

Pin	Wire	Circuit	Function
1	0.35 D-GN	5060	Low Speed GMLAN Serial Data
2	0.35 TN/BK	2500	High Speed GMLAN Serial Data Bus (+) (- JM4)

2008 Chevrolet HHR LT

2008 ELECTRICAL Wiring Systems and Power Management - HHR

3	0.35 TN	2501	High Speed GMLAN Serial Data Bus (-) (- JM4)
4-7	-	-	Not Used
8	0.35 TN/BK	2500	High Speed GMLAN Serial Data Bus (+) (JM4)
9	0.35 TN	2501	High Speed GMLAN Serial Data Bus (-) (JM4)
10-12	-	-	Not Used