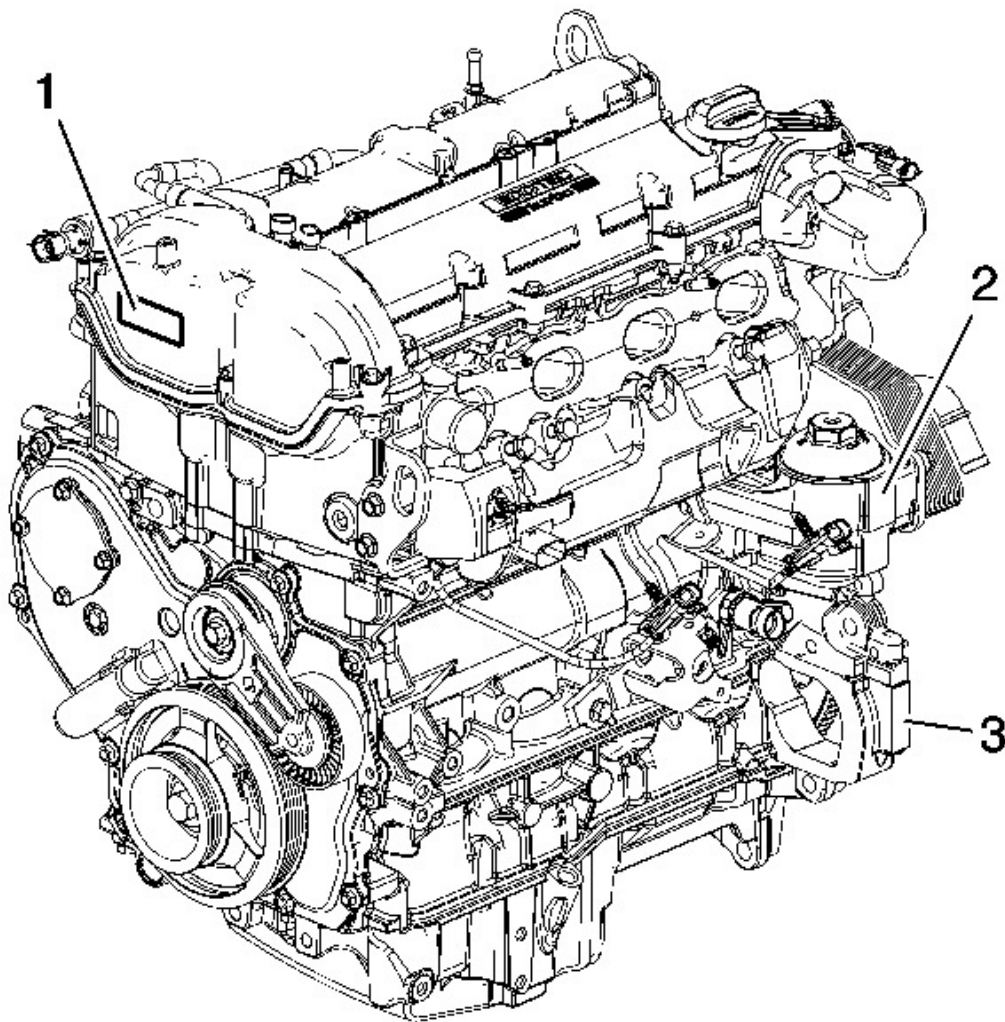
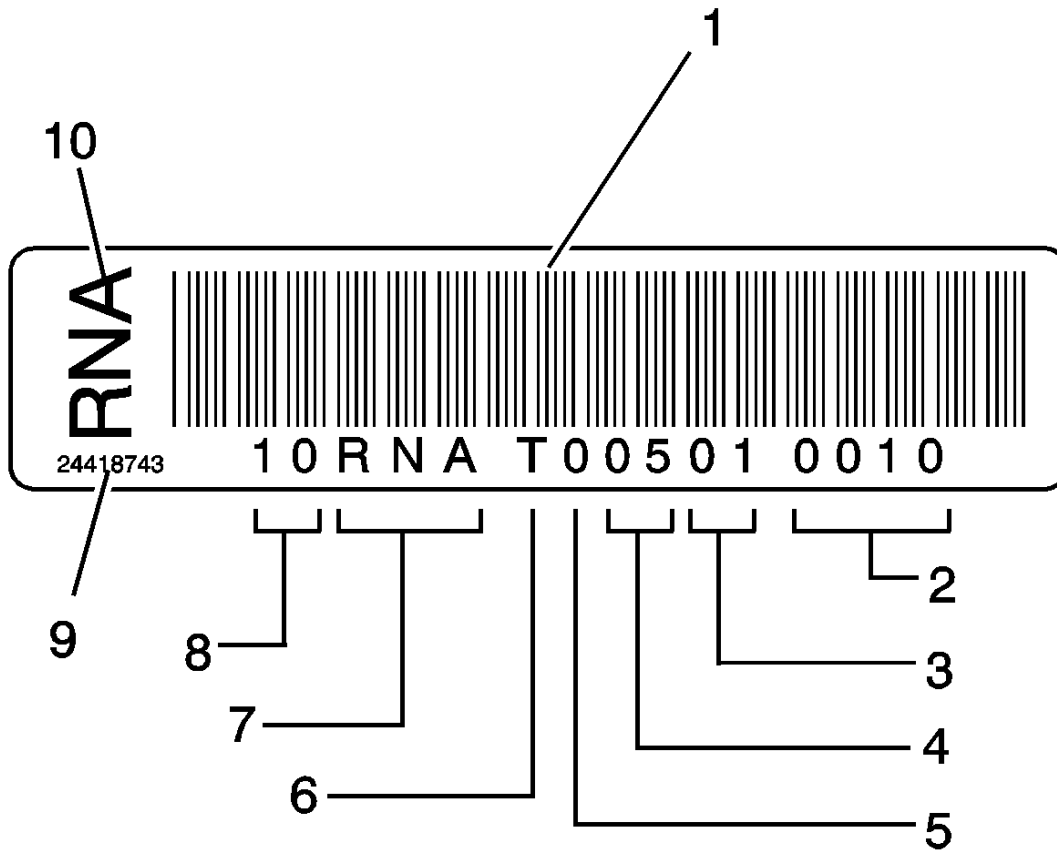


## ENGINE IDENTIFICATION



**Fig. 22: Locating Engine Identification Numbers**  
Courtesy of GENERAL MOTORS CORP.

Identification can be made through the use of the broadcast code label (1) on the engine front cover and the use of the partial vehicle identification number (VIN) etched on the oil filter bowl (2).



**Fig. 23: Identifying Identification Tag Information**  
 Courtesy of GENERAL MOTORS CORP.

Callout	Component Name
1	Barcode
2	Sequence Number
3	Day
4	Month
5	Year
6	Engine Assembly Plant
7	Broadcast Code
8	Part Designation

**2009 Pontiac Solstice**

2009 ENGINE Engine Mechanical - 2.0L - SKY & Solstice

9	Engine Assembly Number
10	Broadcast Code

The partial VIN identifies the specific vehicle by sequence number.