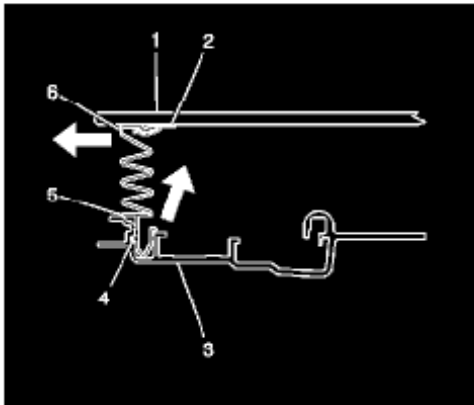


## Sunroof Panel Side Opening Closeout Cover Replacement

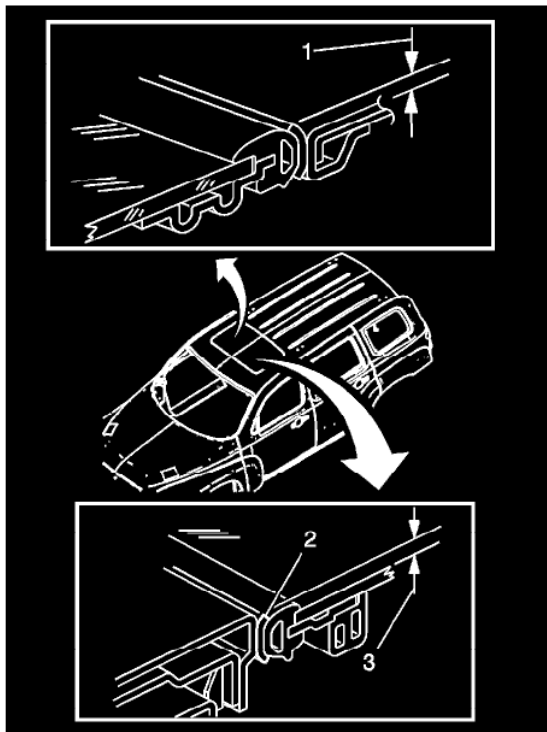


Remove:

1. Open the sunshade to the full rearward position.
2. Open the sunroof window (1) to the vent position.
3. Detach both sides of the sunroof side opening closeout panel covers (6) from the sunroof window clips (2).
4. Open the sunroof to the full open position.
5. Using a flat bladed tool, press the locking tab (4) outward, from inside the roof opening, in order to detach the side opening closeout panel cover from the sunroof track channel (3).
6. With the lock tab (4) depressed, lift the front edge of the side opening closeout panel cover from the track, working towards the rear of the sunroof opening.
7. Repeat the steps for the entire length of the side opening closeout panel cover (6).
8. Remove the sunroof side opening closeout panel cover from the sunroof module track assembly.

## Sunroof Window Height and Opening Fit Adjustment

1. Open the sunshade.
2. Close the sunroof window.
3. Remove the cover, that conceals the bolts on the window, from the left and right side. Refer to Sunroof Panel Side Opening Closeout Cover



4. Loosen the adjusting screws.
5. Adjust the corners of the glass panel (3) using the following guidelines:
  - \*Adjust the front of the sunroof window (2) flush to 1 mm (0.04 in) below the top surface of the roof panel.
  - \*Adjust the rear of the sunroof window (1) flush to 1 mm (0.04 in) above the top surface of the roof panel.

**Caution:** Refer to Fastener Caution (See: Service Precautions/Vehicle Damage Warnings/Fastener Caution).

6. Install the sunroof window adjustment screws.

**Tighten the sunroof window adjusting screws to 6 Nm (53 lb in).**

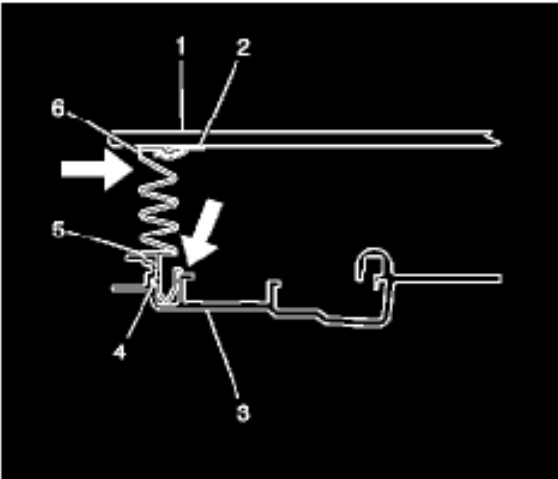
7. Install the left and right side covers. Refer to Sunroof Panel Side Opening Closeout Cover Replacement (See: Service and Repair/Sunroof Panel





## Side Opening Closeout Cover Replacement)

Install:



1. Place in position, the new sunroof side opening closeout panel cover (6) to the sunroof module track assembly (3).
2. Hold the lower part (5) of the side opening closeout panel cover firmly and press the locking tab (4) into the track assembly.
3. Ensure the entire length of the side opening closeout panel cover (6) is secure to the sunroof assembly track.
4. Close the sunroof window (1).
5. Open the sunroof window to the vent position.
6. Secure the sunroof side opening closeout panel cover (6) to the 3 clips (2) located on the inside edge of the sunroof window.
7. Close the sunroof window.
8. Cycle the sunroof window to the vent position and full open positions in order to ensure the sunroof side opening closeout panel covers are secure to the attachment clips.
9. Close the sunroof window.
10. Close the sunshade

Calibrate:

- 1 Open Vent and release button
- 2 Hold vent open until vent drops a little Keep holding for 5 seconds.